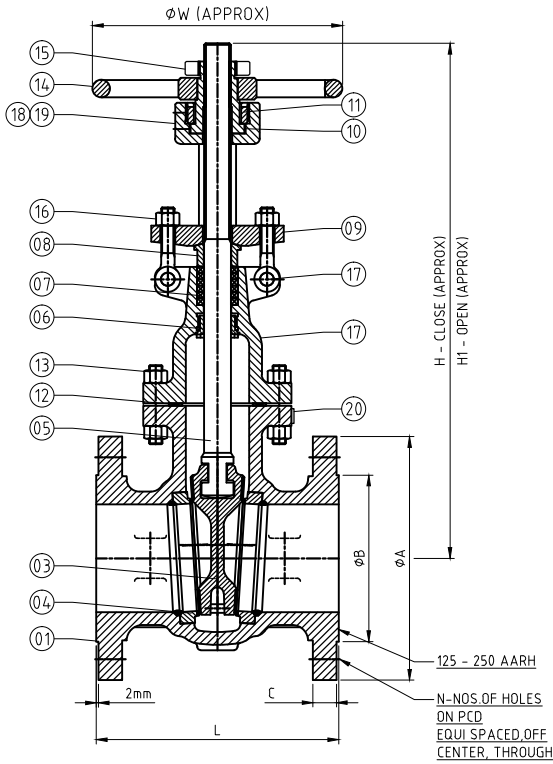


FLOWRITE VALVE CO.

DRAWING NO.	GTV-150-GA-01
REV. :	00
Work Order No. :	DATE : -
PO No. :	SHEET : 1 OF 1
Customer :	SERIES : -
Project : GATE VALVE (OS & Y TYPE)	CLASS : # 150



PT NO.	PART NAME	MATERIAL
01	BODY	ASTM A216 GR. WCB
02	BONNET	ASTM A216 GR. WCB
03	WEDGE	ASTM A216 GR. WCB + ST6
04	SEAT RING	ASTM A216 GR. WCB + ST6
05	STEM	ASTM A276 TP 410
06	BACK SEAT BUSH	ASTM A276 TP 410
07 ▲	GLAND PACKING	GRAPHITE
08	GLAND	ASTM A276 TP 410
09	GLAND FLANGE	ASTM A 105
10	YOKE SLEEVE	ASTM A 439 GR. D2 NI-RESIST
11	YOKE NUT	CARBON STEEL
12 ▲	GASKET	SPIRAL WOUND SS 304 +GRAPHITE
13	BONNET STUD/NUT	ASTM A193 GR. B7 / A 194 GR. 2H
14	HAND WHEEL	CARBON STEEL
15	HAND WHEEL NUT	CARBON STEEL
16	EYE BOLT/NUT	ASTM A307GR. B / GR 8.8
17	CROSS PIN	CARBON STEEL
18	GRUB SCREW	STEEL GR.H45
19	GREASE NIPPLE	STAINLESS STEEL
20	NAME PLATE	STAINLESS STEEL

NOTES =

1. WEIGHT INDICATED IS APPROXIMATE.
2. RECOMMENDED SPARE PARTS ▲
3. ALL DIMENSIONS ARE IN MM

FOR REFERENCE

FOR APPROVAL

SIZE	NPS	2"	4"	6"	8"
	DN	50	100	150	200
L ^{+2.0} _{-0.0}	178	229	267	292	
H	325	487	605	770	
H1	387	595	760	990	
ϕA ^{+2.0} _{-0.0}	150	230	280	345	
ϕB ^{+1.0} _{-0.0}	92.1	157.2	215.9	269.9	
C ^{+3.0} _{-0.0}	14.3	22.3	23.9	27.0	
ϕW (APPROX)	200	250	300	350	
H1	NO. OF HOLES	4	8	8	8
	HOLE DIA.	19.05	19.05	22.2	22.2
	PCD ± 1.0	120.7	190.5	241.3	298.5
WEIGHT	21	53	87	139	
QTY					
P.O SL.NO					
TAG NO.					

TESTING PRESSURE (KG/CM ²)		
CLASS		150
HYDRO	SHELL	31
	SEAT	23
	BACKSEAT	23
AIR	SEAT	7

TECHNICAL DATA	
DESIGN STD.	API 600 / BS 1414
TESTING STD.	API 598 / BS EN 12266-1
FLANGED ENDS.	ASME B 16.5
BW ENDS.	ASME B 16.25
FACE TO FACE.	ASME B 16.10

DRAWN: - ABS

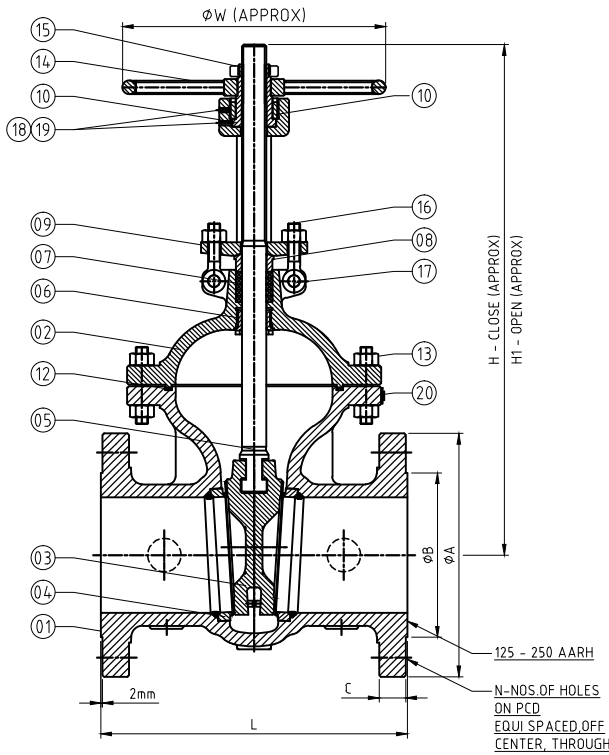
CHECKED: - DBK

APPROVED: - BBS

ADDRESS :- PO BOX. 30054, AL-KHOBAR 31952, KINGDOM OF SAUDI ARABIA

FLOWRITE VALVE CO.

DRAWING NO.	GTV-300-GA-01
REV. :	00
Work Order No. :	DATE : -
PO No. :	SHEET : 1 OF 1
Customer :	SERIES : -
Project : GATE VALVE (OS & Y TYPE)	CLASS : # 300



PT NO.	PART NAME	MATERIAL
01	BODY	ASTM A216 GR. WCB
02	BONNET	ASTM A216 GR. WCB
03	WEDGE	ASTM A216 GR. WCB + ST6
04	SEAT RING	ASTM A216 GR. WCB + ST6
05	STEM	ASTM A276 TP 410
06	BACK SEAT BUSH	ASTM A276 TP 410
07 ▲	GLAND PACKING	GRAPHITE
08	GLAND	ASTM A276 TP 410
09	GLAND FLANGE	ASTM A 105
10	YOKE SLEEVE	ASTM A 439 GR. D2 NI-RESIST
11	YOKE NUT	CARBON STEEL
12 ▲	GASKET	SPIRAL WOUND SS 304 +GRAPHITE
13	BONNET STUD/NUT	ASTM A193 GR. B7 / A 194 GR. 2H
14	HAND WHEEL	CARBON STEEL
15	HAND WHEEL NUT	CARBON STEEL
16	EYE BOLT/NUT	ASTM A307GR. B / GR 8.8
17	CROSS PIN	CARBON STEEL
18	GRUB SCREW	STEEL GR.H45
19	GREASE NIPPLE	STAINLESS STEEL
20	NAME PLATE	STAINLESS STEEL

NOTES =

1. WEIGHT INDICATED IS APPROXIMATE.
2. RECOMMENDED SPARE PARTS ▲
3. ALL DIMENSIONS ARE IN MM

FOR REFERENCE

FOR APPROVAL

SIZE	NPS	2"	4"	6"	8"
	DN	50	100	150	200
L ±2.0	216	305	403	419	
H	320	485	675	840	
H1	380	598	835	1054	
ØA ±2.0 -0.0	165	255	320	380	
ØB ±1.0	92.1	157.2	215.9	269.9	
C ±3.0 -0.0	20.7	30.2	35.0	39.7	
ØW (APPROX)	200	250	350	400	
F/E	NO. OF HOLES	8	8	12	12
	HOLE DIA.	19.05	22.2	22.2	25.4
	PCD ±1.0	127	200	269.9	330.2
WEIGHT	25	78	158	234	
QTY					
P.O SL.NO					
TAG NO.					

TESTING PRESSURE (KG/CM ²)		
CLASS		300
HYDRO	SHELL	79
	SEAT	58
	BACKSEAT	58
AIR	SEAT	7

TECHNICAL DATA	
DESIGN STD.	API 600 / BS 1414
TESTING STD.	API 598 / BS EN 12266-1
FLANGED ENDS.	ASME B 16.5
BW ENDS.	ASME B 16.25
FACE TO FACE.	ASME B 16.10

DRAWN: - ABS

CHECKED: - DBK

APPROVED: - BBS

ADDRESS :- PO BOX. 30054, AL-KHOBAR 31952, KINGDOM OF SAUDI ARABIA

FLOWRITE VALVE CO.

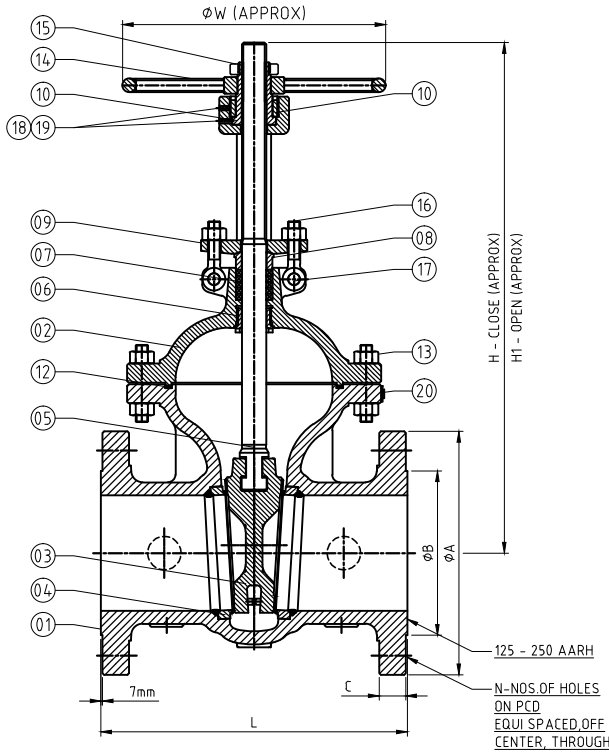
DRAWING NO.	GTV-600-GA-01
REV. :	00
DATE :	-
SHEET :	1 OF 1
SERIES :	-
CLASS :	# 600

Work Order No. :

PO No. :

Customer :

Project : GATE VALVE (OS & Y TYPE)



PT NO.	PART NAME	MATERIAL
01	BODY	ASTM A216 GR. WCB
02	BONNET	ASTM A216 GR. WCB
03	WEDGE	ASTM A216 GR. WCB + ST6
04	SEAT RING	ASTM A216 GR. WCB + ST6
05	STEM	ASTM A276 TP 410
06	BACK SEAT BUSH	ASTM A276 TP 410
07 ▲	GLAND PACKING	GRAPHITE
08	GLAND	ASTM A276 TP 410
09	GLAND FLANGE	ASTM A 105
10	YOKE SLEEVE	ASTM A 439 GR. D2 NI-RESIST
11	YOKE NUT	CARBON STEEL
12 ▲	GASKET	SPIRAL WOUND SS 304 +GRAPHITE
13	BONNET STUD/NUT	ASTM A193 GR. B7 / A 194 GR. 2H
14	HAND WHEEL	CARBON STEEL
15	HAND WHEEL NUT	CARBON STEEL
16	EYE BOLT/NUT	ASTM A307GR. B / GR 8.8
17	CROSS PIN	CARBON STEEL
18	GRUB SCREW	STEEL GR.H45
19	GREASE NIPPLE	STAINLESS STEEL
20	NAME PLATE	STAINLESS STEEL

NOTES =

1. WEIGHT INDICATED IS APPROXIMATE.
2. RECOMMENDED SPARE PARTS ▲
3. ALL DIMENSIONS ARE IN MM

FOR REFERENCE

FOR APPROVAL

SIZE	NPS	2"	4"	6"	8"
	DN	50	100	150	200
L ^{+2.0}	292	432	559	660	
H	368	567	780	935	
H1	435	695	940	1158	
ϕA ^{+2.0} _{-0.0}	165	275	355	420	
ϕB ^{+1.0}	92.1	157.2	215.9	269.9	
C ^{+3.0} _{-0.0}	25.4	38.1	47.7	55.6	
ϕW (APPROX)	200	300	450	500	
H1	NO. OF HOLES	8	8	12	12
	HOLE DIA.	19.05	25.4	28.6	31.8
	PCD ± 1.0	127	215.9	292.1	349.2
WEIGHT	12	119	252	418	
QTY					
P.O SL.NO					
TAG NO.					

TESTING PRESSURE (KG/CM ²)		
CLASS		600
HYDRO	SHELL	157
	SEAT	115
	BACKSEAT	115
AIR	SEAT	7

TECHNICAL DATA	
DESIGN STD.	API 600 / BS 1414
TESTING STD.	API 598 / BS EN 12266-1
FLANGED ENDS.	ASME B 16.5
BW ENDS.	ASME B 16.25
FACE TO FACE.	ASME B 16.10

DRAWN: - ABS

CHECKED: - DBK

APPROVED: - BBS

ADDRESS :- PO BOX. 30054, AL-KHOBAR 31952, KINGDOM OF SAUDI ARABIA