

FLOWRITE VALVE CO.

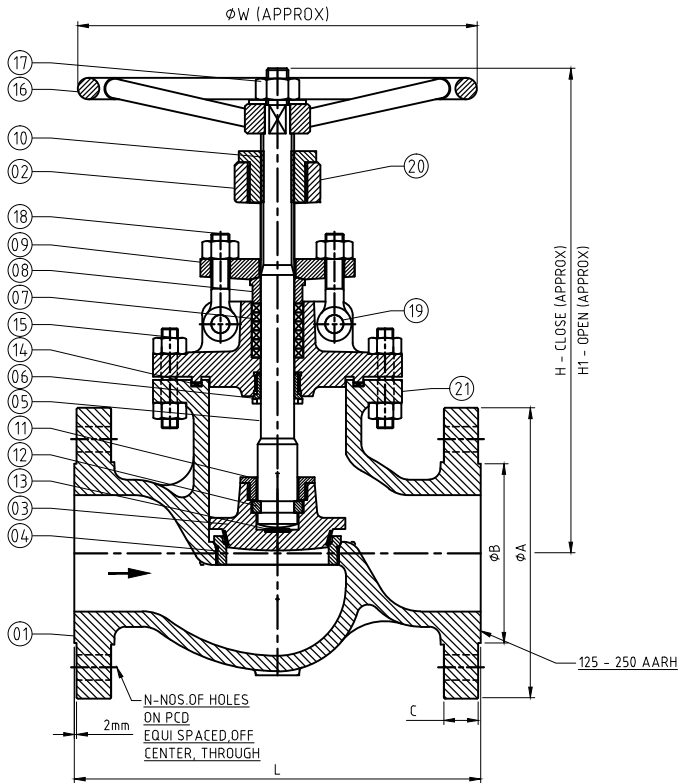
DRAWING NO.	GBV-150-GA-01
REV. :	00
DATE :	-
SHEET :	1 OF 1
SERIES :	-
CLASS :	# 150

Work Order No. :

PO No. :

Customer :

Project : GLOBE VALVE (T TYPE)



PT NO.	PART NAME	MATERIAL
01	BODY	ASTM A216 GR. WCB
02	BONNET	ASTM A216 GR. WCB
03	PLUG	ASTM A216 GR. WCB + ST6
04	SEAT RING	ASTM A216 GR. WCB + ST6
05	STEM	ASTM A276 TP 410
06	BACK SEAT BUSH	ASTM A276 TP 410
07 ▲	GLAND PACKING	GRAPHITE
08	GLAND	ASTM A276 TP 410
09	GLAND FLANGE	ASTM A 105
10	YOKE NUT	ASTM A 439 GR. D2 NI-RESIST
11	PLUG NUT	ASTM A276 TP 410
12	SPLIT RING	ASTM A276 TP 410
13	THRUST PLATE	ASTM A276 TP 410
14 ▲	GASKET	SPIRAL WOUND SS 304 +GRAPHITE
15	BONNET STUD/NUT	ASTM A193 GR. B7 / A 194 GR. 2H
16	HAND WHEEL	CARBON STEEL
17	HAND WHEEL NUT	CARBON STEEL
18	EYE BOLT/NUT	ASTM A307GR. B / GR 8.8
19	CROSS PIN	CARBON STEEL
20	GRUB SCREW	STEEL GR.H45
21	NAME PLATE	STAINLESS STEEL

NOTES =

1. WEIGHT INDICATED IS APPROXIMATE.
2. RECOMMENDED SPARE PARTS ▲
3. ALL DIMENSIONS ARE IN MM

FOR REFERENCE

SIZE	NPS	2"	4"	6"	8"
	DN	50	100	150	200
L ^{+2.0}	203	292	406	495	
H	300	405	452	520	
H1	320	442	506	595	
ØA ^{+2.0} _{-0.0}	150	230	280	345	
ØB ^{+1.0}	92.1	157.2	215.9	269.9	
C ^{+3.0} _{-0.0}	14.3	22.3	23.9	27.0	
ØW (APPROX)	200	300	350	450	
H1	NO. OF HOLES	4	8	8	8
	HOLE DIA.	19.05	19.05	22.2	22.2
	PCD ±1.0	120.7	190.5	241.3	298.5
WEIGHT	23	66	118	207	
QTY					
P.O SL.NO					
TAG NO.					

FOR APPROVAL

TESTING PRESSURE (KG/CM ²)		
CLASS		150
HYDRO	SHELL	31
	SEAT	23
	BACKSEAT	23
AIR	SEAT	7

TECHNICAL DATA	
DESIGN STD.	BS 1873
TESTING STD.	API 598 / BS EN 12266-1
FLANGED ENDS.	ASME B 16.5
BW ENDS.	ASME B 16.25
FACE TO FACE.	ASME B 16.10

DRAWN: - ABS

CHECKED: - DBK

APPROVED: - BBS

ADDRESS :- PO BOX. 30054, AL-KHOBAR 31952, KINGDOM OF SAUDI ARABIA

FLOWRITE VALVE CO.

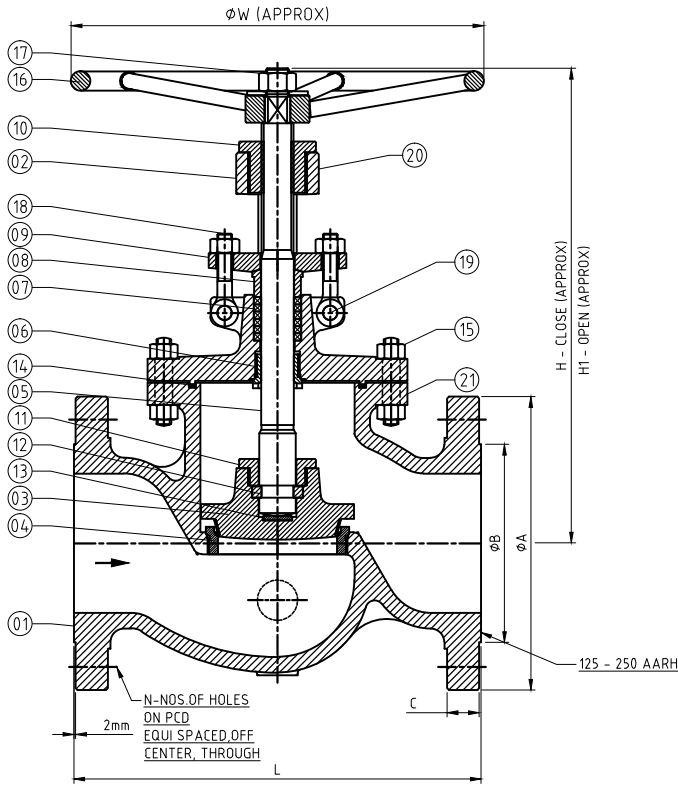
DRAWING NO.	GBV-300-GA-01
REV. :	00
DATE :	-
SHEET :	1 OF 1
SERIES :	-
CLASS :	# 300

Work Order No. :

PO No. :

Customer :

Project : GLOBE VALVE (T TYPE)



PT NO.	PART NAME	MATERIAL
01	BODY	ASTM A216 GR. WCB
02	BONNET	ASTM A216 GR. WCB
03	PLUG	ASTM A216 GR. WCB + ST6
04	SEAT RING	ASTM A216 GR. WCB + ST6
05	STEM	ASTM A276 TP 410
06	BACK SEAT BUSH	ASTM A276 TP 410
07 ▲	GLAND PACKING	GRAPHITE
08	GLAND	ASTM A276 TP 410
09	GLAND FLANGE	ASTM A 105
10	YOKE NUT	ASTM A 439 GR. D2 NI-RESIST
11	PLUG NUT	ASTM A276 TP 410
12	SPLIT RING	ASTM A276 TP 410
13	THRUST PLATE	ASTM A276 TP 410
14 ▲	GASKET	SPIRAL WOUND SS 304 +GRAPHITE
15	BONNET STUD/NUT	ASTM A193 GR. B7 / A 194 GR. 2H
16	HAND WHEEL	CARBON STEEL
17	HAND WHEEL NUT	CARBON STEEL
18	EYE BOLT/NUT	ASTM A307GR. B / GR 8.8
19	CROSS PIN	CARBON STEEL
20	GRUB SCREW	STEEL GR.H45
21	NAME PLATE	STAINLESS STEEL

NOTES =

1. WEIGHT INDICATED IS APPROXIMATE.
2. RECOMMENDED SPARE PARTS ▲
3. ALL DIMENSIONS ARE IN MM

FOR REFERENCE

SIZE	NPS	2"	4"	6"
	DN	50	100	150
L ^{+2.0}	267	356	444	
H	300	418	518	
H1	320	455	572	
ϕA ^{+2.0} _{-0.0}	165	255	320	
ϕB ^{+1.0}	92.1	157.2	215.9	
C ^{+3.0} _{-0.0}	20.7	30.2	35.0	
ϕW (APPROX)	200	350	450	
H1	NO. OF HOLES	8	8	12
	HOLE DIA.	19.05	22.2	22.2
	PCD ± 1.0	127	200	269.9
WEIGHT	33	97	186	
QTY				
P.O SL.NO				
TAG NO.				

FOR APPROVAL

TESTING PRESSURE (KG/CM ²)		
CLASS		300
HYDRO	SHELL	79
	SEAT	58
	BACKSEAT	58
AIR	SEAT	7

TECHNICAL DATA	
DESIGN STD.	BS 1873
TESTING STD.	API 598 / BS EN 12266-1
FLANGED ENDS.	ASME B 16.5
BW ENDS.	ASME B 16.25
FACE TO FACE.	ASME B 16.10

DRAWN: - ABS

CHECKED: - DBK

APPROVED: - BBS

ADDRESS :- PO BOX. 30054, AL-KHOBAR 31952, KINGDOM OF SAUDI ARABIA

FLOWRITE VALVE CO.

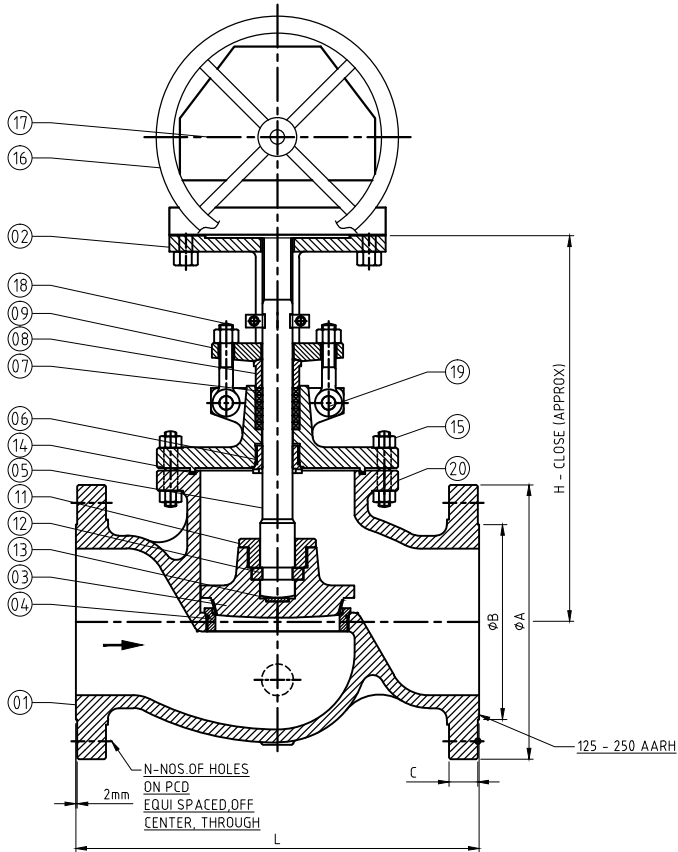
DRAWING NO.	GBV-300-GA-02
REV. :	00
DATE :	-
SHEET :	1 OF 1
SERIES :	-
CLASS :	# 300

Work Order No. :

PO No. :

Customer :

Project : GLOBE VALVE (T TYPE)



PT NO.	PART NAME	MATERIAL
01	BODY	ASTM A216 GR. WCB
02	BONNET	ASTM A216 GR. WCB
03	PLUG	ASTM A216 GR. WCB + ST6
04	SEAT RING	ASTM A216 GR. WCB + ST6
05	STEM	ASTM A276 TP 410
06	BACK SEAT BUSH	ASTM A276 TP 410
07 ▲	GLAND PACKING	GRAPHITE
08	GLAND	ASTM A276 TP 410
09	GLAND FLANGE	ASTM A 105
11	PLUG NUT	ASTM A276 TP 410
12	SPLIT RING	ASTM A276 TP 410
13	THRUST PLATE	ASTM A276 TP 410
14 ▲	GASKET	SPIRAL WOUND SS 304 +GRAPHITE
15	BONNET STUD/NUT	ASTM A193 GR. B7 / A 194 GR. 2H
16	HAND WHEEL	CARBON STEEL
17	GEAR BOX	CI. BODY
18	EYE BOLT/NUT	ASTM A307GR. B / GR 8.8
19	CROSS PIN	CARBON STEEL
20	NAME PLATE	STAINLESS STEEL

NOTES =

1. WEIGHT INDICATED IS APPROXIMATE
2. RECOMMENDED SPARE PARTS ▲
3. ALL DIMENSIONS ARE IN MM

FOR REFERENCE

SIZE	NPS	8"
	DN	200
L ±2.0		559
	H	535
ØA ^{+2.0} / _{-0.0}		380
	ØB ^{+1.0} / _{-0.0}	269.9
C ^{+3.0} / _{-0.0}		39.7
	H1	
	NO. OF HOLES	12
	HOLE DIA.	25.4
	PCD ±1.0	330.2
	WEIGHT	329
	QTY	
	P.O SL.NO	
	TAG NO.	

FOR APPROVAL

TESTING PRESSURE (KG/CM ²)		
CLASS		300
HYDRO	SHELL	79
	SEAT	58
	BACKSEAT	58
AIR	SEAT	7

TECHNICAL DATA	
DESIGN STD.	BS 1873
TESTING STD.	API 598 / BS EN 12266-1
FLANGED ENDS.	ASME B 16.5
BW ENDS.	ASME B 16.25
FACE TO FACE.	ASME B 16.10

DRAWN: - ABS

CHECKED: - DBK

APPROVED: - BBS

ADDRESS :- PO BOX. 30054, AL-KHOBAR 31952, KINGDOM OF SAUDI ARABIA

FLOWRITE VALVE CO.

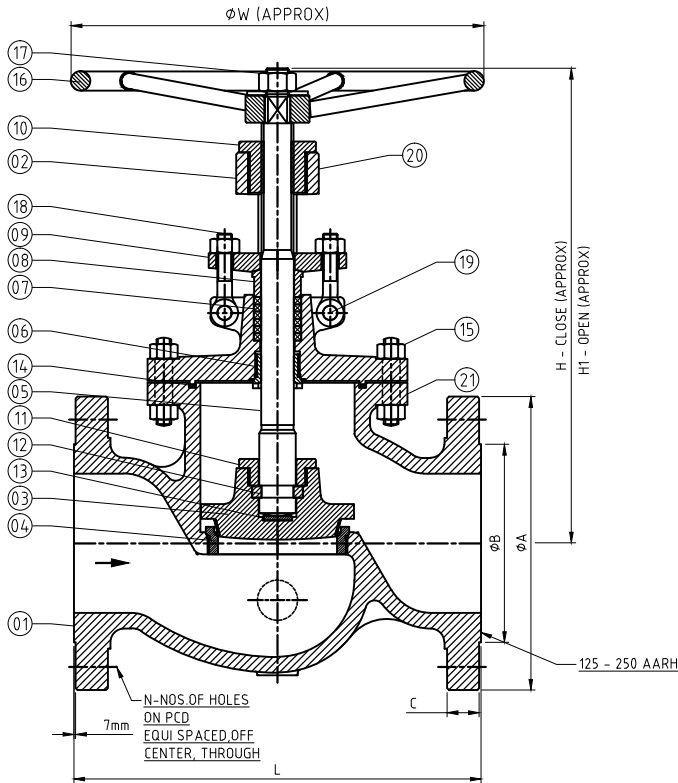
DRAWING NO.	GBV-600-GA-01
REV. :	00
DATE :	-
SHEET :	1 OF 1
SERIES :	-
CLASS :	# 600

Work Order No. :

PO No. :

Customer :

Project : GLOBE VALVE (T TYPE)



PT NO.	PART NAME	MATERIAL
01	BODY	ASTM A216 GR. WCB
02	BONNET	ASTM A216 GR. WCB
03	PLUG	ASTM A216 GR. WCB + ST6
04	SEAT RING	ASTM A216 GR. WCB + ST6
05	STEM	ASTM A276 TP 410
06	BACK SEAT BUSH	ASTM A276 TP 410
07 ▲	GLAND PACKING	GRAPHITE
08	GLAND	ASTM A276 TP 410
09	GLAND FLANGE	ASTM A 105
10	YOKE NUT	ASTM A 439 GR. D2 NI-RESIST
11	PLUG NUT	ASTM A276 TP 410
12	SPLIT RING	ASTM A276 TP 410
13	THRUST PLATE	ASTM A276 TP 410
14 ▲	GASKET	SPIRAL WOUND SS 304 +GRAPHITE
15	BONNET STUD/NUT	ASTM A193 GR. B7 / A 194 GR. 2H
16	HAND WHEEL	CARBON STEEL
17	HAND WHEEL NUT	CARBON STEEL
18	EYE BOLT/NUT	ASTM A307GR. B / GR 8.8
19	CROSS PIN	CARBON STEEL
20	GRUB SCREW	STEEL GR.H45
21	NAME PLATE	STAINLESS STEEL

NOTES =

1. WEIGHT INDICATED IS APPROXIMATE.
2. RECOMMENDED SPARE PARTS ▲
3. ALL DIMENSIONS ARE IN MM

FOR REFERENCE

FOR APPROVAL

SIZE	NPS	2"	4"
	DN	50	100
L ±2.0		292	432
H		362	465
H1		382	500
ØA ±2.0 -0.0		165	275
ØB ±1.0		92.1	157.2
C ±3.0 -0.0		25.4	38.1
ØW (APPROX)		250	400
H1	NO. OF HOLES	8	8
	HOLE DIA.	19.05	25.4
	PCD ±1.0	127	215.9
WEIGHT		12	119
QTY			
P.O SL.NO			
TAG NO.			

TECHNICAL DATA	
DESIGN STD.	BS 1873
TESTING STD.	API 598 / BS EN 12266-1
FLANGED ENDS.	ASME B 16.5
BW ENDS.	ASME B 16.25
FACE TO FACE.	ASME B 16.10

DRAWN: - ABS

CHECKED: - DBK

APPROVED: - BBS

ADDRESS :- PO BOX. 30054, AL-KHOBAR 31952, KINGDOM OF SAUDI ARABIA

FLOWRITE VALVE CO.

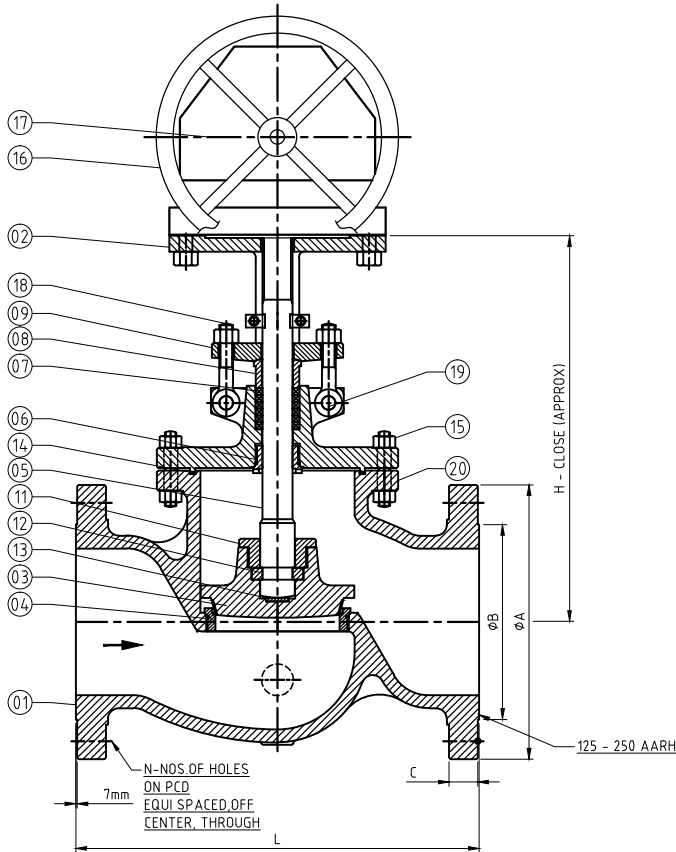
DRAWING NO.	GBV-600-GA-02
REV. :	00
DATE :	-
SHEET :	1 OF 1
SERIES :	-
CLASS :	# 600

Work Order No. :

PO No. :

Customer :

Project : GLOBE VALVE (T TYPE)



PT NO.	PART NAME	MATERIAL
01	BODY	ASTM A216 GR. WCB
02	BONNET	ASTM A216 GR. WCB
03	PLUG	ASTM A216 GR. WCB + ST6
04	SEAT RING	ASTM A216 GR. WCB + ST6
05	STEM	ASTM A276 TP 410
06	BACK SEAT BUSH	ASTM A276 TP 410
07 ▲	GLAND PACKING	GRAPHITE
08	GLAND	ASTM A276 TP 410
09	GLAND FLANGE	ASTM A 105
11	PLUG NUT	ASTM A276 TP 410
12	SPLIT RING	ASTM A276 TP 410
13	THRUST PLATE	ASTM A276 TP 410
14 ▲	GASKET	SPIRAL WOUND SS 304 +GRAPHITE
15	BONNET STUD/NUT	ASTM A193 GR. B7 / A 194 GR. 2H
16	HAND WHEEL	CARBON STEEL
17	GEAR BOX	CI. BODY
18	EYE BOLT/NUT	ASTM A307GR. B / GR 8.8
19	CROSS PIN	CARBON STEEL
20	NAME PLATE	STAINLESS STEEL

NOTES =

1. WEIGHT INDICATED IS APPROXIMATE
2. RECOMMENDED SPARE PARTS ▲
3. ALL DIMENSIONS ARE IN MM

FOR REFERENCE

FOR APPROVAL

SIZE	NPS	6"	8"
	DN	150	200
L ±2.0		559	660
H		550	695
ØA ^{+2.0} / _{-0.0}		355	420
ØB ^{+1.0} / _{-0.0}		215.9	269.9
C ^{+3.0} / _{-0.0}		47.7	55.6
H1	NO. OF HOLES	12	12
	HOLE DIA.	28.6	31.8
	PCD ±1.0	292.1	349.2
WEIGHT		252	418
QTY			
P.O SL.NO			
TAG NO.			

TESTING PRESSURE (KG/CM ²)		
CLASS		600
HYDRO	SHELL	157
	SEAT	115
	BACKSEAT	115
AIR	SEAT	7

TECHNICAL DATA	
DESIGN STD.	BS 1873
TESTING STD.	API 598 / BS EN 12266-1
FLANGED ENDS.	ASME B 16.5
BW ENDS.	ASME B 16.25
FACE TO FACE.	ASME B 16.10

DRAWN: - ABS

CHECKED: - DBK

APPROVED: - BBS

ADDRESS :- PO BOX. 30054, AL-KHOBAR 31952, KINGDOM OF SAUDI ARABIA